

St. Mary's School, Dwarka
Practice Worksheet (April-May)
Class: III
Subject: Mathematics

Topic: L-1, Numbers up to 10,000

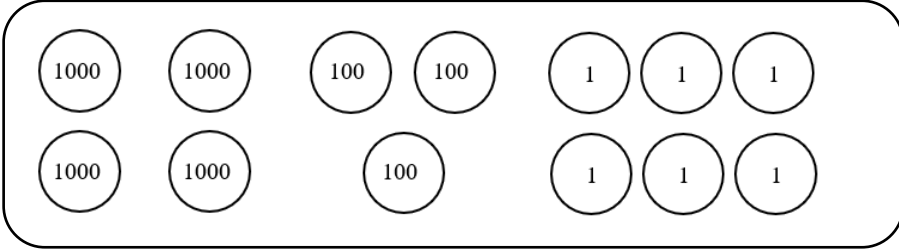

1. Write the numerals for the following.

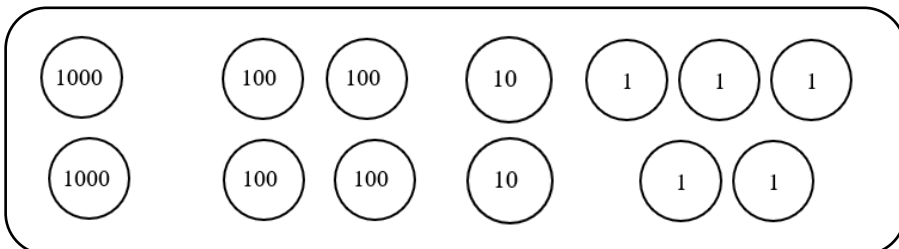

- a) One thousand seven hundred twelve - _____
- b) Three thousand four hundred - _____
- c) Four thousand five hundred two - _____

2. Write the number names for the following.

- a) 8053 - _____
- b) 5417 - _____
- c) 9004 - _____

3. Read the pattern and write the numbers.

a)  

b)  

4. Use >, < or = to compare the following numbers.

- a) 7685 7865
- b) Five thousand thirty-four 5304
- c) $8000 + 800 + 30 + 1$ 8831

5. Arrange the numbers in order. Begin with the greatest.

a) 7406, 7064, 7640, 7604

6. Arrange the numbers in order. Begin with the smallest.

a) 2340, 2043, 2403, 2304

7. Write the expanded form of the following numbers.

a) 6243 = _____

b) 9031 = _____

c) 7830 = _____

8. Write the standard form of the following numbers.

a) $3000 + 700 + 70 =$ _____

b) $5000 + 300 + 90 + 8 =$ _____

c) $6000 + 6 =$ _____

9. Fill in the blanks.

a) In 7604, the digit _____ is in the hundreds place.

b) _____ is 10 more than 485

c) $5206 = 5000 +$ _____ $+ 6$

d) _____ is 1000 less than 4507

e) In 5678, the digit in the ones place is _____ and the digit in the thousands place is _____.

f) The largest and the smallest 4-digit numbers formed by using the digits 1, 3, 8, 0 are _____ and _____.

10. Complete the number patterns.

a) _____, _____, 1302, 1303

b) 4738, 4838, 4938, _____, _____

c) 6903, 5903, 4903, _____, _____